

# Non-metallic • Versatile RAYS BOX™

**NEW!**  
See  
reverse

*Installs devices and fixtures on fire-rated walls and ceilings*



**For single-layer drywall and fire-rated walls and ceilings with up to two layers of 5/8" drywall**

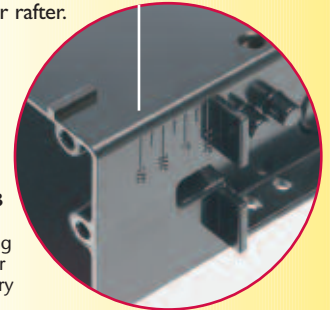
**RAYS BOX™**, Arlington's new fixture or device box is the "super box" you've been waiting for! It's a 23.0 cu. inch, non-metallic box that's usable on wood or metal studs with single-layer or double drywall.

For masonry, it's got **tabs** that secure the box vertically or horizontally in mortar.

**Three openings** for screws or nails position box to accommodate varying wall thicknesses or drywall layers. The box ships with screw or nail in the center holes; perfect for most standard wall thickness installations or 1/2" double drywall.

**Wall thickness indicator**

helps you position box properly on the stud or rafter.



**FDM23** with securing tabs for masonry

- For installing devices or fixtures
- Ceiling-rated for up to 50 lb fixtures
- Wall-rated for up to 10 lb fixtures
- 2-hour fire rating
- For new construction
- UL Listed

Catalog Number	UPC/DEI/NAED Mfg. #018997	Description RAYS BOX™ Electrical Box	Attachment Method	Unit Pkg	Std Pkg
<b>FDN23</b>	37842	23.0 cu. inch non-metallic box installs on wood or metal studs in new construction.	Nail-on	50	50
<b>FDS23</b>	40190		Screw-on	50	50
<b>FDM23</b>	37840	For devices/fixtures.	Mortar in	50	50

FDN23 includes two nails. FDS23 includes two screws. FDM23 includes box only; no attachment devices. Each box includes (1) NM94 cable connector.

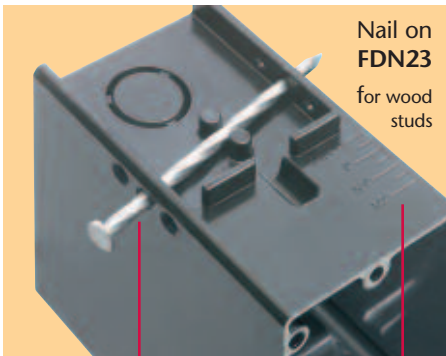
Patent pending



**Arlington**  
1 Stauffer Industrial Park  
Scranton, PA 18517  
**800/233.4717**  
**Fax 570/562.0646**  
[www.aifittings.com](http://www.aifittings.com)

# Install Devices or Fixtures on Walls/Ceilings

*For wood or metal studs with single-layer or double drywall*



**Three openings** for screws or nails position box to accommodate varying wall thicknesses or drywall layers. Nail/screws installed in center hole - perfect for most standard installations or 1/2" double drywall.

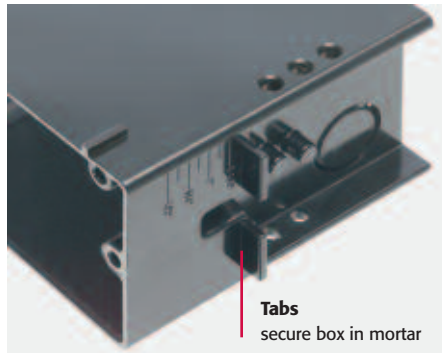
**Wall thickness indicator** with positioning guides for 1/2", 3/4" and 1" single or double drywall. Helps the installer position the box correctly on the stud or rafter.



**FDM23 Installation in Brick (Masonry) Wall**  
**1** Pull cable through installed NM cable connector. (NM94 cable connector included with each box).



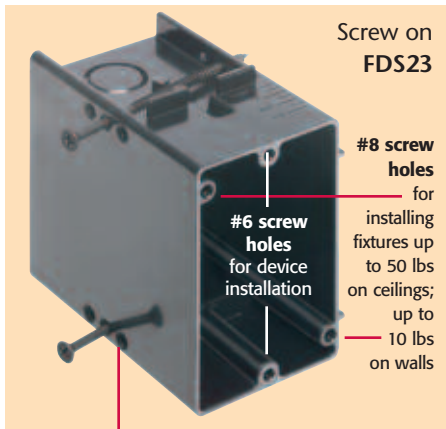
**2** Mortar in box.



**3** Built-in tabs set in the mortar hold the box securely in place.



**4** RAYS BOX™ installed flush with masonry surface, ready for installation of device or fixture.



**Installed screws (or nails)** ship in place for secure installation on metal (or wood studs) in new construction. *For added convenience, remove screws/nails from box and use to mortar in.*



**5** Outlet installed. NOTE: Shown with Arlington's weatherproof IN AND OUT™ Cover



**6** Caulk as required around the outdoor cover.



**7** Or install a fixture instead. FDN23 series RAYS BOX accommodates device OR fixture installation.



**Arlington**  
 1 Stauffer Industrial Park  
 Scranton, PA 18517  
**800/233.4717**  
**Fax 570/562.0646**  
**www.aifittings.com**

FD series 1008/30M

Distributed by