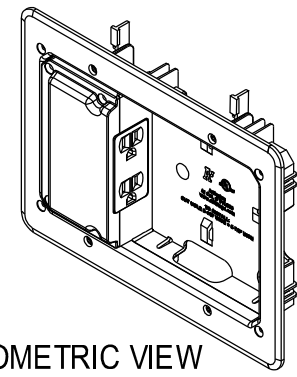
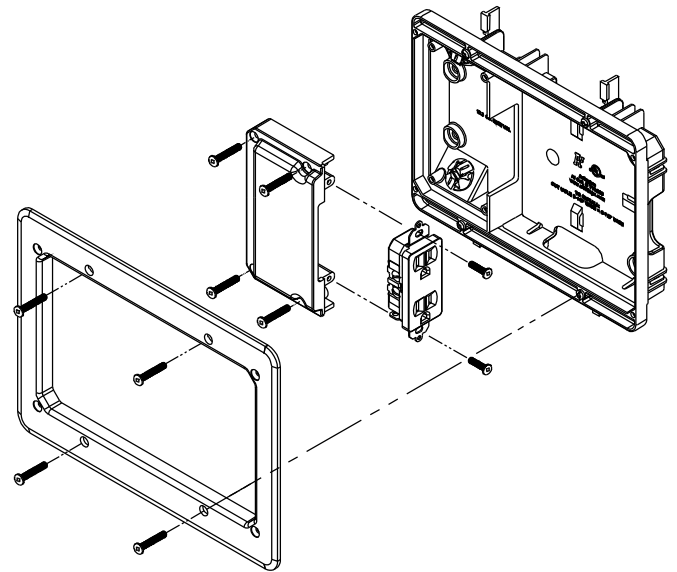
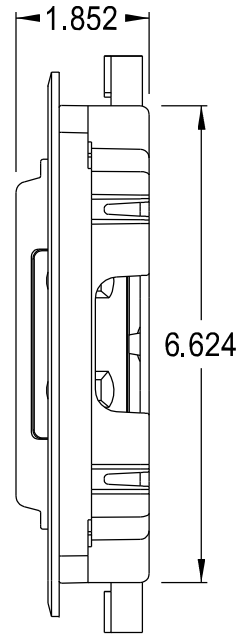


Arlington
AI Cat. # TVL508
www.aifittings.com
TO INSTALL:
CUT HOLE 8-1/8" WIDE x 6-7/8" HIGH



ISOMETRIC VIEW