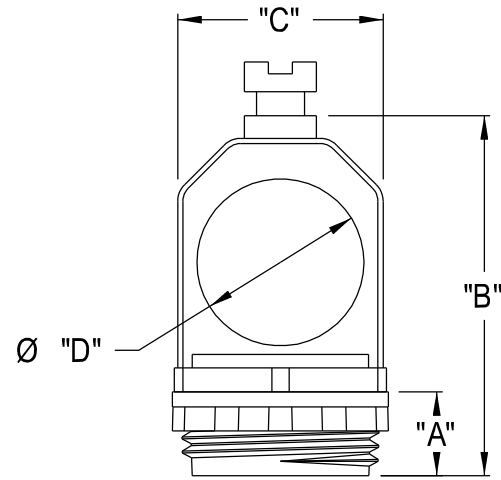
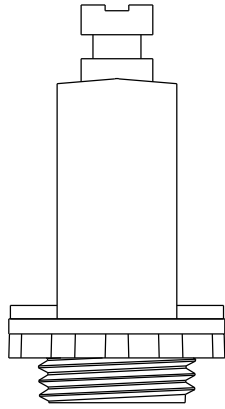
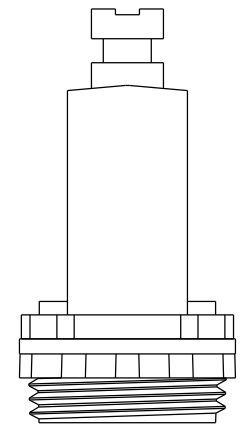


NMFS50



NMFS75



NOTE :

SUPPLIED W/ SCREW, WASHER & NUT

|          |            |      |       |       |        |
|----------|------------|------|-------|-------|--------|
| NMFS75   | 3/4"       | .437 | 1.875 | 1.070 | Ø .870 |
| NMFS50   | 1/2"       | .437 | 1.792 | 1.121 | Ø .870 |
| PART NO. | TRADE SIZE | "A"  | "B"   | "C"   | "D"    |