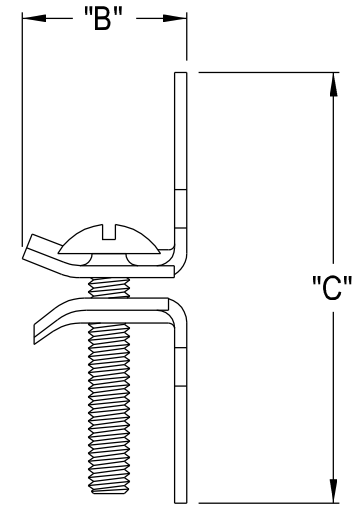
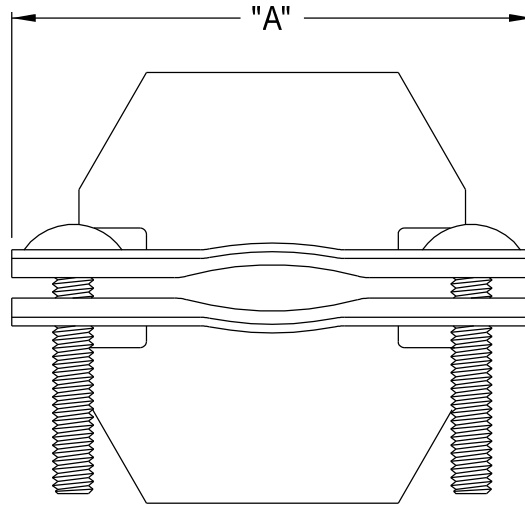
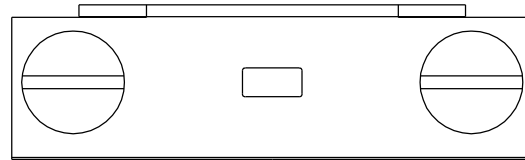


**NOTE :**

Material : Plated Steel  
 Supplied w/ (2) Screws



BT150	2.723	.828	2.055	4/0
BT125	2.136	.829	2.045	2/0 - 3/0
BT75	1.764	.809	1.341	8-2 TO 4-3
BT50	1.323	.652	1.136	14-2 TO 8-3
PART NO.	"A"	"B"	"C"	WIRE RANGES