



Arlington Industries, Inc.

1 Stauffer Ind. Park - Scranton, Pa. 18517
 800-233-4717 Fax: 570-562-0646
 www.aifittings.com - E-MAIL : sales @ aifittings.com
 Manufacturers of Quality Electrical Products

WARNING: TURN OFF POWER AT MAIN PANEL BOX

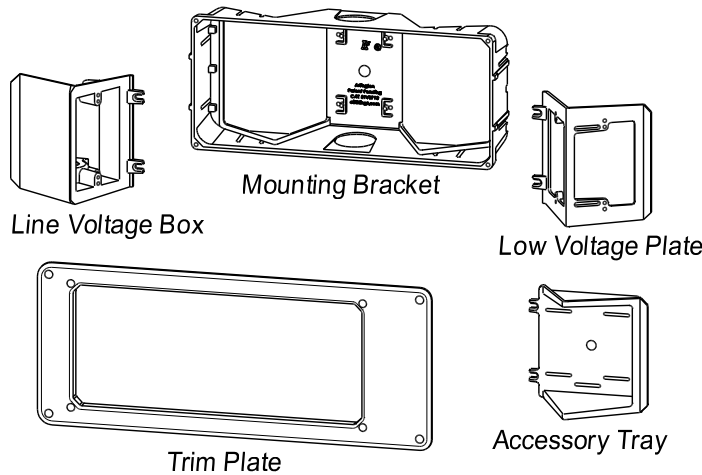
TVB713
TVB713GC (w/ Ground Clip)




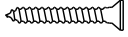
TV BOX - For Flat Screen TVs, For New and Existing Construction


Contents:


- (1) Mounting Bracket
- (1) Line Voltage Box
- (1) Low Voltage Plate
- (1) Accessory Tray
- (1) Trim Plate
- (4) #8 x 1/2" Long Screws
- (4) #8 x 3/4" Long Screws
- (4) #8 x 1-1/2" Long Screws
- (1) NM Cable Connector



 (4) #8-32 X 1/2" Long Screw

 (4) #8-32 X 3/4" Long Screw

 (4) #8 X 1-1/2" Long Screw


 NM Cable Connector

If you have any questions or if parts are missing from your TVB713 TV Box For Flat Screen TV Kit, Please call our Customer Service Department at 1-800-233-4717. Do not call or return this product to your local store or distributor.

Installation Instructions:

For NEW Construction:

- **Mounting Bracket :**
 - Secure to stud horizontally (can also be mounted vertically) using a minimum of (2) #6 x 1-5/8" long wood screws (not included) through slotted holes in wall of Mounting Bracket. Allow for wall finish thickness, such as dry wall.
- **Line Voltage Box :**
 - Install NM Cable Connector to Line Voltage Box and pull cable through NM Connector.
 - Mount Line Voltage Box in Mounting Bracket using (2) #8 x 1/2" long screws (provided).
 - Install device. Complete wiring connections.
- **Low Voltage Plate :**
 - Pull cables into the opening of Mounting Bracket where Low Voltage Plate will be installed.
 - Install Low Voltage Plate in Mounting Bracket using (2) #8 x 1/2" long screws (provided).
 - Install low voltage device. Complete wiring connections.
- **Accessory Tray :**
 - If desired, Accessory Tray can be used in place of Low Voltage Bracket , to mount digital converter box etc.
- **Trim Plate:**
 - After installation of dry wall (or other wall finish) install Trim Plate to Mounting Bracket using (4) #8 x 3/4" long screws (provided) and secure Trim Plate to wall using (4) #8 x 1-1/2" long screws (provided) , into 16" on center studs.

For EXISTING Construction:

- Cut 6" x 13-1/4" hole next to stud. (can be mounted either horizontally or vertically). Mounting Bracket can be used as a template if desired.
- Attach Trim Plate to Mounting Bracket using (4) #8 x 3/4" long screws (provided).
- Mount assembled Trim Plate and Mounting Bracket to wall using (4) #8 x 1-1/2" long screws (provided) into 16" on center studs, using the (4) outside holes in Trim Plate.
- Follow the above steps given for Line Voltage Box, Low Voltage Plate, and Accessory Tray.

WARNING: Make sure power is OFF at main panel box before installing.

NOTE: All Wiring Must be According to NEC, State and Local Codes.

The manufacturer and distributor warrant this product for material and workmanship only, and shall not be liable for any special incident or consequential damages or for damages or loss caused by improper use or installation.