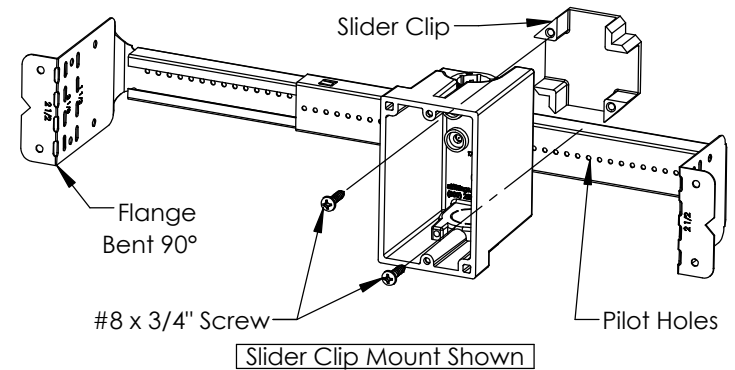
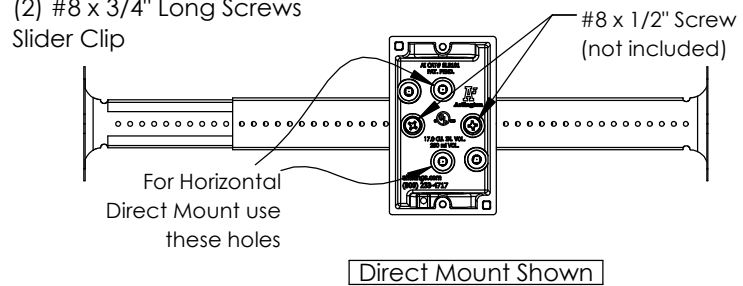


SL1B18 Adjustable Bar Hanger w/ Single-Gang Box (12"-18" Stud Spacing)
SL1B24 Adjustable Bar Hanger w/ Single-Gang Box (15"-24" Stud Spacing)

Add 'GC' suffix for Canada (Ground Clip)

Contents:

- Adjustable Bar Hanger (SL18 or SL24)
- SLB101 Single-Gang Box w/ NM94 Fitting
- (2) #8 x 3/4" Long Screws
- Slider Clip



Installation Instructions

1. Bend the end flanges of SL18/SL24 Bar Hanger at appropriate mark to suit installation. For 1/2" or 5/8" thick wallboard bend flange at 2-1/2" mark. Flanges can be bent 90° or bent back 180° if needed for an inside mount installation. Attach Bar Hanger to studs with screws or nails (not provided)
2. Attach SLB101 Box to the Slider Clip using the (2) included #8 x 3/4" long screws. SLB101 can be mounted in a vertical or horizontal orientation by rotating the Slider Clip to match desired installation. SLB101 Box can also be mounted directly to the SL18/SL24 Bar Hanger using (2) #6 or #8 x 1/2" long sheet metal screws (not provided). Install screws from the inside of the SLB101 Box into the pilot holes of the SliderBar. Holes are formed in the back of the SLB101 Box. Remove appropriate knockouts to access horizontal or vertical pattern.
3. Position the SLB101 Box at the desired location and tighten the screws to secure the box. Box can be installed anywhere along the length of the bar that has pilot holes.
4. Pull NM cable and install using included NM94 connector.
5. Wire devices according to all local, state, & national codes.