

The following components are included for proper installation of the GPD19B, GPD19BR, GPD19G & GPD19W GARD-N-POST™

- (1) GPD19 GARD-N-POST™
- (1) G.F.C.I. Face plate
- (1) Duplex Face plate
- (1) 'Extra Duty' Rain Tight Cover
- (1) Knockout plate
- (2) #8 x 5/8" long flat head phillips screws
- (1) Steel grounding clip supplied with ground screw (Canada Only)



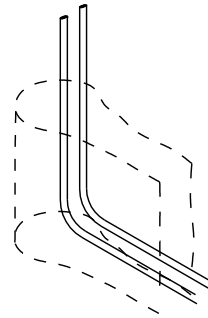
Arlington Industries, Inc.

1 Stauffer Ind. Park - Scranton, Pa. 18517
 800-233-4717 Fax: 570-562-0646
 www.aifittings.com - E-MAIL: sales@aifittings.com
 Manufacturers of Quality Electrical Products

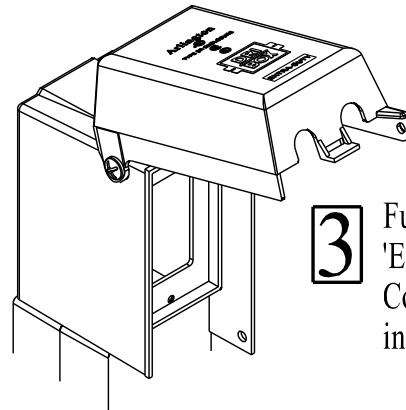
**Installation Instructions For: GPD19B,
 GPD19BR, GPD19G & GPD19W
 GARD-N-POST™**



1 Excavate a hole a minimum of 10 inches deep and 10 inches in diameter. Excavate a trench to the hole to accommodate the electrical service.

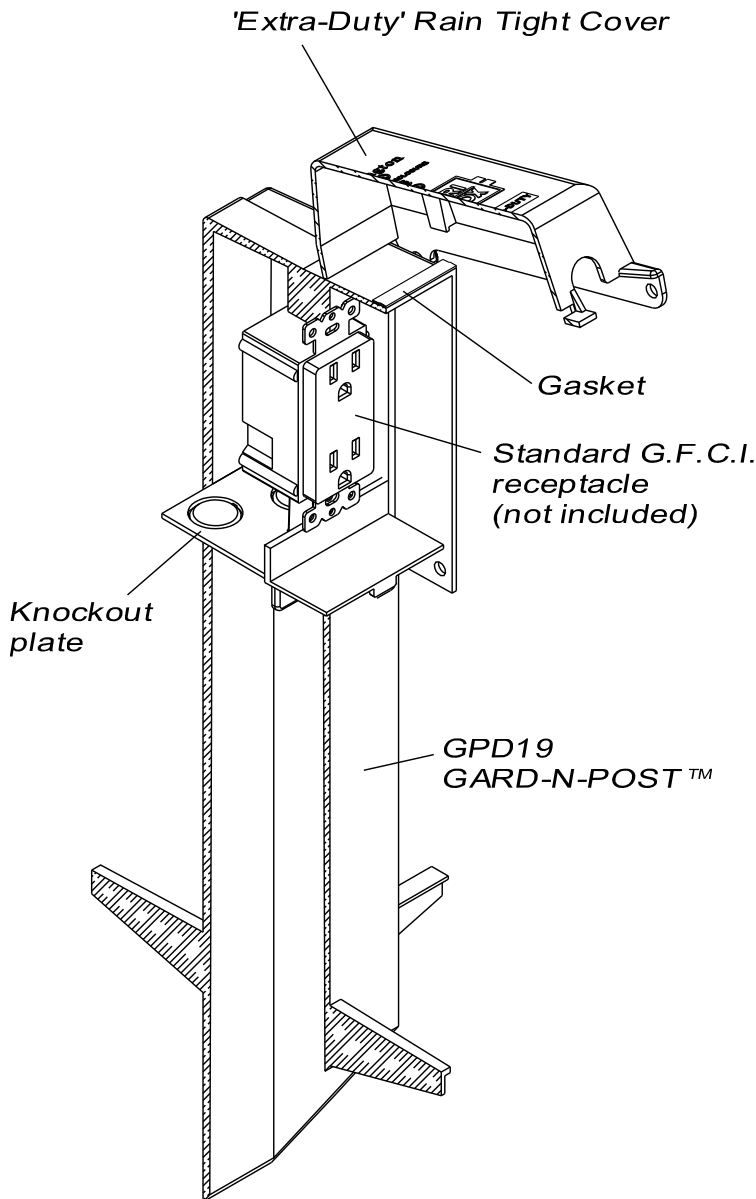
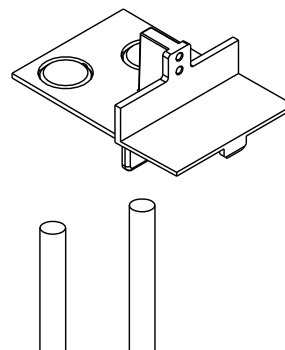


2 Install electrical service to the excavated hole for the GPD19, making sure to provide sufficient wire to make the proper connections in the GPD19.

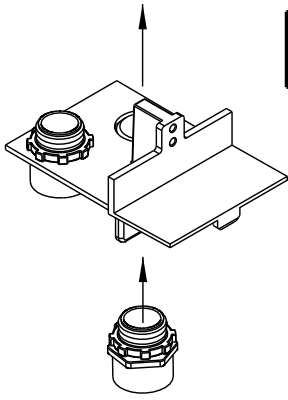


3 Fully open the 'Extra-Duty' Rain-Tight Cover to facilitate installation.

4 Determine the number of knock-outs required for wire installation and remove them from the knock-out plate. (provided)

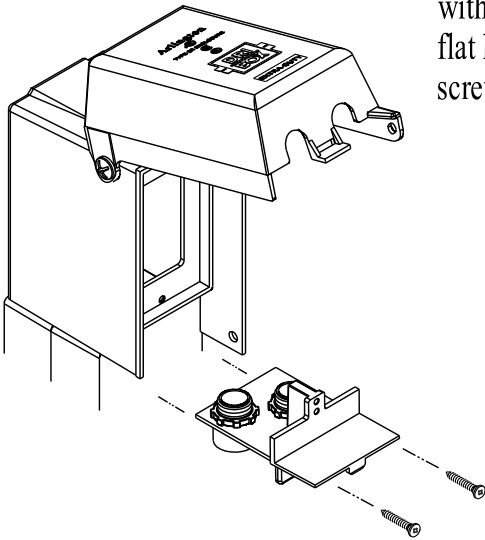


Cut-away View of assembled GPD19 GARD-N-POST™ showing properly assembled component parts

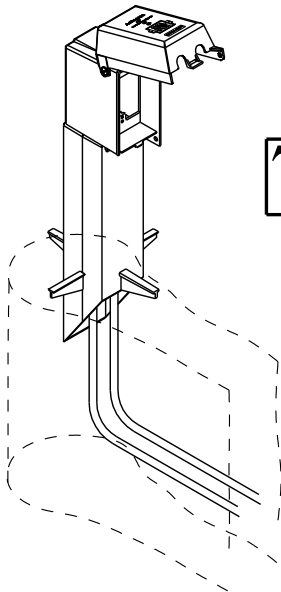


5 Install the required connectors into the knock-out plate to accommodate conduit or cables.

6 Install knock-out plate into bottom portion of side opening and secure with (2) #8 x 5/8" long flat head phillips drive screws. (provided)

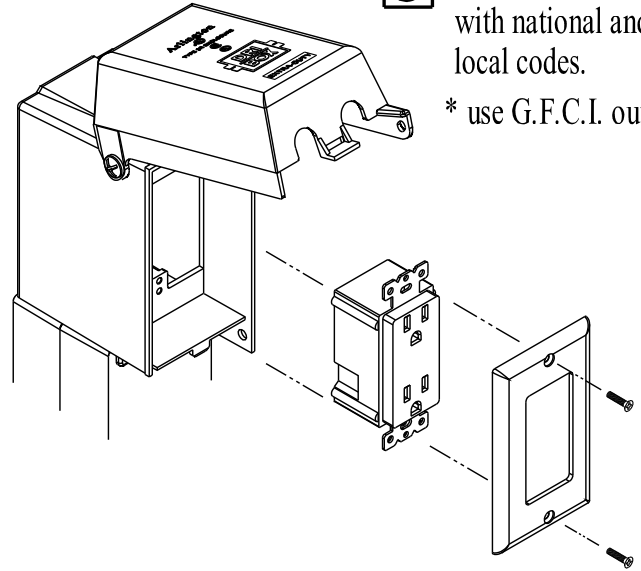


7 Install GPD19 into excavation while pulling conductors into the connectors installed in knock-out plate, being sure to leave sufficient cable to make proper electrical connections. Backfill excavation.

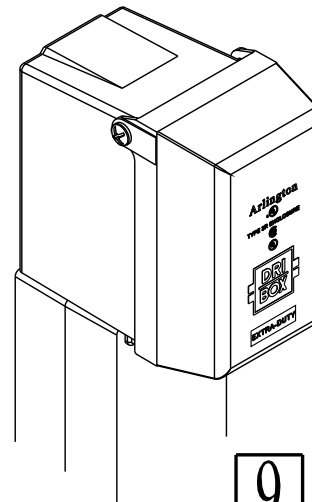


8 Install G.F.C.I. and wire in accordance with national and local codes.

* use G.F.C.I. outlet only



9 Close & latch the 'Extra Duty' Rain-Tight Cover to complete the installation.



If you have any questions or if parts are missing from your GARD-N-POST™ kit, please call our Customer Service Department at 1-800-233-4717. Do not call or return this product to your local distributor.