



# Arlington Industries, Inc.

1 Stauffer Ind. Park, Scranton, PA 18517  
Phone: 800-233-4717 Fax: 570-562-0646  
www.aifittings.com E-mail: sales@aifittings.com

# GANGABLE FLOOR BOX (FLBC8502) KIT



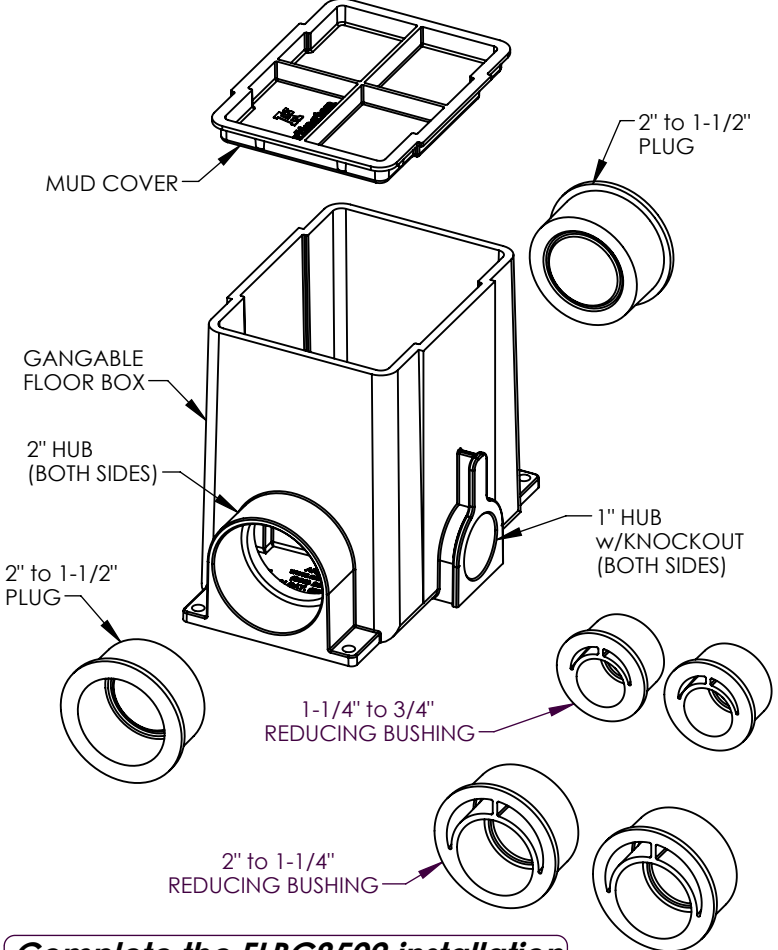
**Arlington Cat. #  
FLBC8502**

**CONTENTS:**

- (1) GANGABLE FLOOR BOX
- (1) MUD COVER
- (2) 2" to 1-1/2" PLUGS
- (2) 2" to 1-1/4" REDUCING BUSHINGS
- (2) 1-1/4" to 3/4" REDUCING BUSHINGS

*All wiring must be according to National (NEC/CEC), State and Local Codes.*

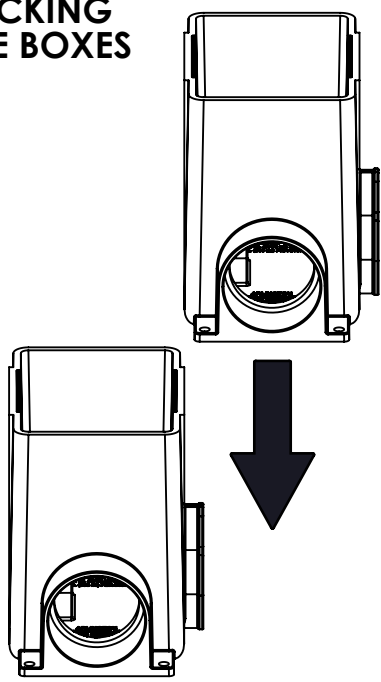
*For use with non-metallic wiring systems only.*



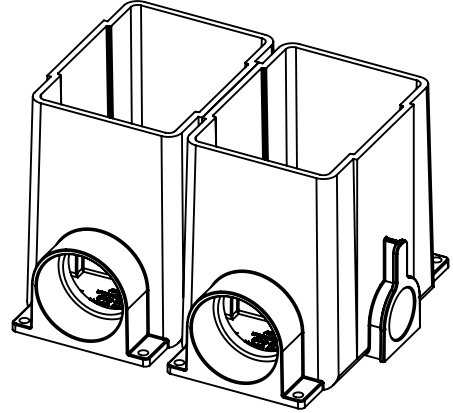
**Complete the FLBC8502 installation with Arlington COVER PLATES:**

- FLBC8510 (SINGLE GANG)
- FLBC8520 (DOUBLE GANG)
- FLBC8530 (TRIPLE GANG)

## INTERLOCKING MULTIPLE BOXES (2 or 3)



**ALIGN HUBS AND SLIDE BOXES TOGETHER VERTICALLY**



**DOUBLE GANG FLOOR BOX AFTER ASSEMBLY**

If you have any questions or if parts are missing from your FLBC8502 Gangable Floor Box Kit, please call our Customer Service Department at 1-800-233-4717. Do not call or return this product to your local store or distributor.

## Installation Instructions

- Cut knockouts to use 1" HUBS and/or connect multiple (up to 3) FLOOR BOXES.
- **Note:** Provided 2" to 1-1/2" PLUGS have knockouts to use 1-1/2" conduit in 2" HUBS. Cut knockouts in 2" PLUGS to use 1-1/2" conduit. 2" to 1-1/4" REDUCING BUSHINGS used for 1-1/4" conduit. 1-1/4" to 3/4" REDUCING BUSHING can be used in 2" to 1-1/4" REDUCING BUSHING for 3/4" conduit.
- If 2 or 3 boxes are to be ganged together, interlock FLOOR BOXES as shown above.
- Set FLOOR BOX(es) into position and secure in place thru molded mounting holes.
- Install conduit as needed securing with PVC cement (not supplied).
- Pull wires thru conduit as required.
- Install 2" PLUGS with PVC cement to seal unused openings.
- Install MUD COVER into FLOOR BOX(es).
- Pour concrete to desired depth.
- After concrete has cured, use saw to cut FLOOR BOX(es) to FINISHED FLOOR HEIGHT.

**WARNING:** Make sure power is OFF at main panel box before installing.

**NOTE:** All wiring must be according to NEC, State and Local codes.

The manufacturer warrants this product for material and workmanship only, and shall not be liable for any special, incidental, or consequential damages or for damages or loss caused by improper use or installation.