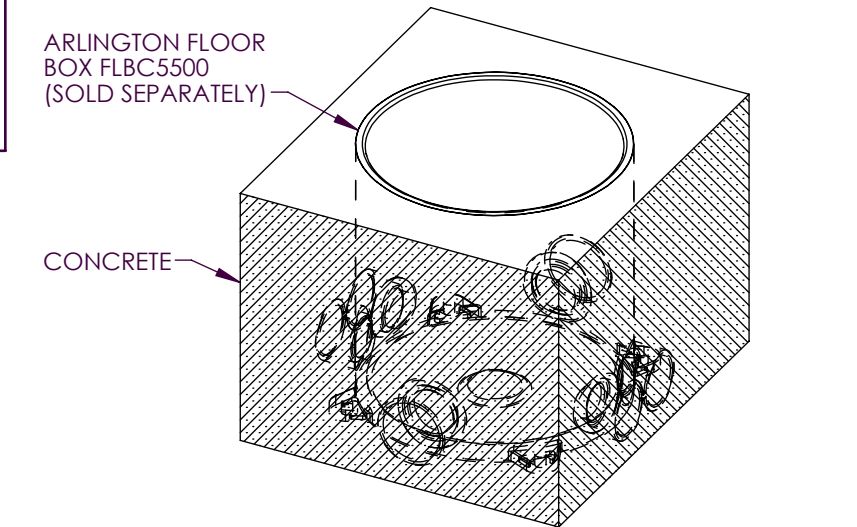
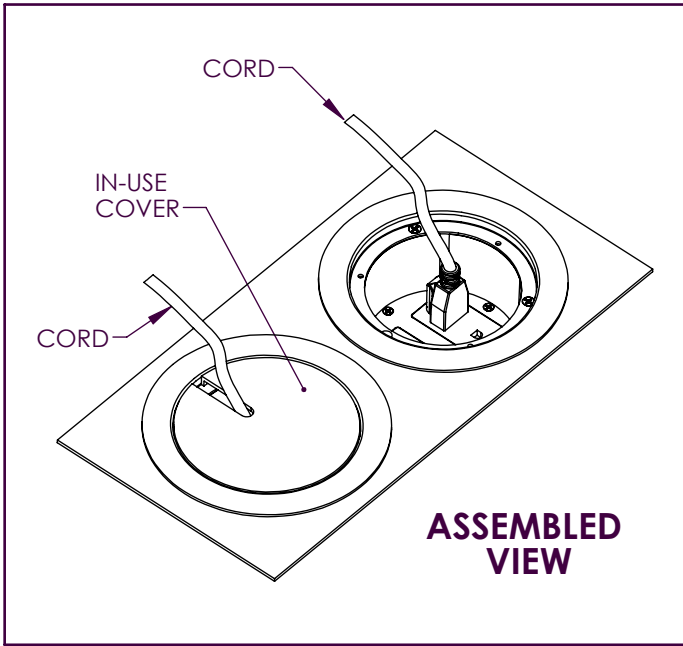
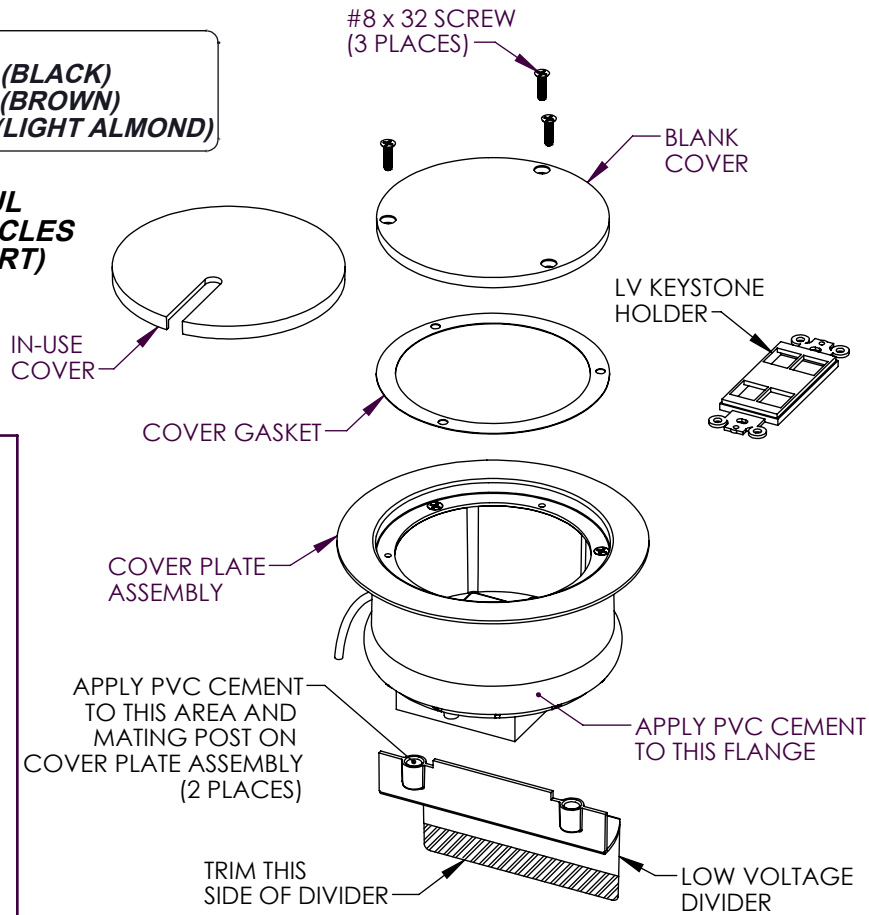




Arlington Cat. #	
FLBC5570NL (BRUSHED NICKEL)	FLBC5570BL (BLACK)
FLBC5570MB (METALLIC BRASS)	FLBC5570BR (BROWN)
FLBC5570AB (ANTIQUÉ BRASS)	FLBC5570LA (LIGHT ALMOND)

CONTENTS:

- (1) COVER PLATE ASSEMBLY w/INSTALLED UL LISTED (2) 20 AMP DECORATOR RECEPTACLES
- (1) LOW VOLTAGE KEYSTONE HOLDER (4 PORT)
- (1) BLANK COVER
- (1) COVER GASKET
- (1) IN-USE COVER
- (3) #8-32 x 5/8" FLAT HEAD SCREWS
- (1) LOW VOLTAGE DIVIDER



MINIMUM CONCRETE DEPTH with FLBC5570 COVER PLATE KIT IS 4.5"

All wiring must be according to National (NEC/CEC), State and Local Codes.

For use with non-metallic wiring systems only.

WARNING: Make sure power is OFF at main panel box before installing.

If you have any questions or if parts are missing from your FLBC5570 Recessed Floor Box Kit, please call our Customer Service Department at 1-800-233-4717. Do not call or return this product to your local store or distributor.

Installation Instructions

- Use saw to cut installed FLBC5500 FLOOR BOX (sold separately) to FINISHED FLOOR HEIGHT after concrete has cured. NOTE: MAXIMUM cut from top of FLBC5500 FLOOR BOX is 1.5".
- Wire RECEPTACLES or LV KETSTONE HOLDER according to NEC, State and Local codes.
- If using low voltage, trim the same measurement from LOW VOLTAGE DIVIDER that was removed from top of FLOOR BOX and PVC CEMENT (not included) DIVIDER to COVER PLATE ASSEMBLY.
- Seal underside of COVER PLATE with silicone sealant (not included) if desired.
- Secure LEVELING RING assembly into FLOOR BOX using PVC CEMENT applied to LEVELING RING'S rounded flange.
- Cover Option #1: Install GASKET under BLANK COVER and secure with (3) #8 x 5/8" SCREWS.
- Cover Option #2: Install IN-USE COVER (no screws required).

WARNING: Make sure power is OFF at main panel box before installing.

NOTE: All wiring must be according to NEC, State and Local codes.