



# Arlington Industries, Inc.

1 Stauffer Ind. Park, Scranton, PA 18517  
Phone: 800-233-4717 Fax: 570-562-0646  
www.aifittings.com E-mail: sales@aifittings.com



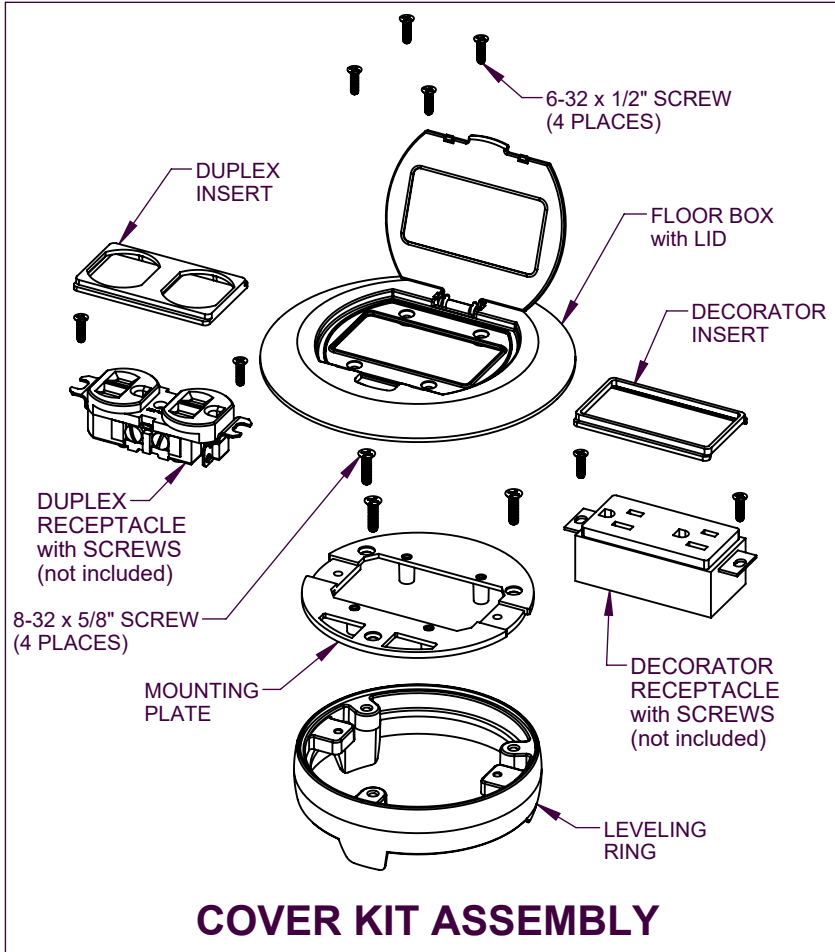
# FLIP-LID COVER KIT, FLBC4520 FOR ARLINGTON FLOOR BOX

### Arlington Cat. #:

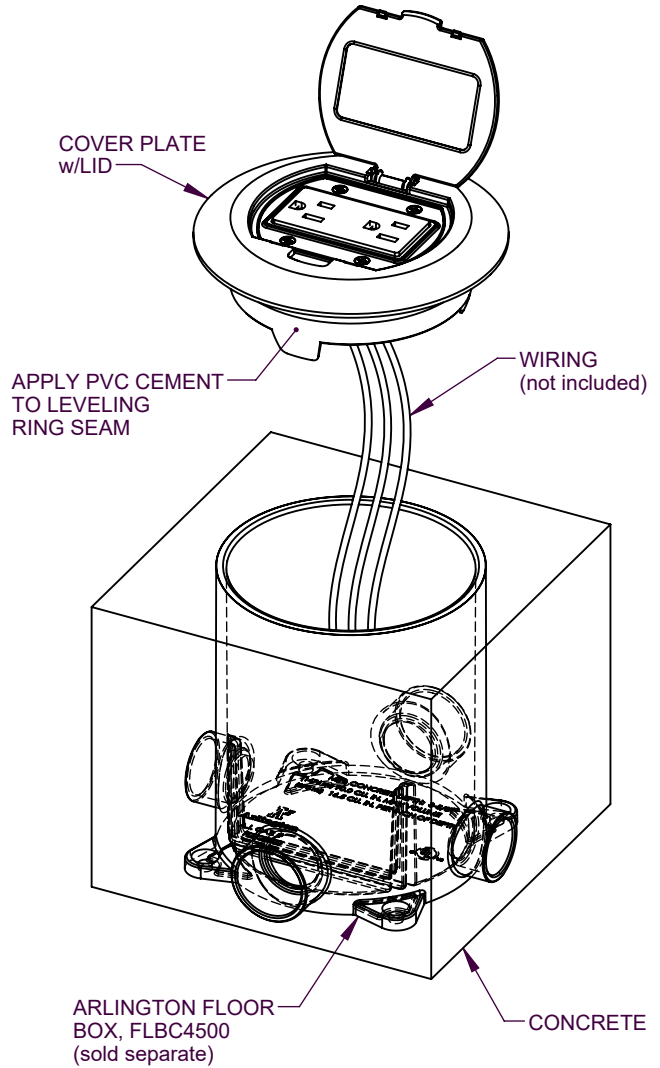
- FLBC4520W (WHITE)
- FLBC4520CA (CAMEL)
- FLBC4520LA (LIGHT ALMOND)
- FLBC4520BR (BROWN)
- FLBC4520GY (GREY)
- FLBC4520BL (BLACK)

### CONTENTS:

- (1) COVER PLATE w/LID
- (1) MOUNTING PLATE
- (1) LEVELING RING
- (1) DUPLEX INSERT
- (1) DECORATOR INSERT
- (3) #8-32 x 5/8" SCREWS
- (4) #6-32 x 1/2" SCREWS



## COVER KIT ASSEMBLY



## COVER KIT TO FLOOR BOX ASSEMBLY

All wiring must be according to National (NEC/CEC), State and Local Codes.

### FLBC4520 COVER PLATE KIT FOR USE WITH ARLINGTON'S FLOOR BOX (FLBC4500)

**WARNING:** Make sure power is OFF at main panel box before installing.

If you have any questions or if parts are missing from your Flip-Lid Cover Kit for Floor Box (FLBC4520), please call our Customer Service Department at 1-800-233-4717. DO NOT call or return this product to your local store or distributor.

## Installation Instructions

- Make sure power is OFF at main panel box before installing.
- Attach MOUNTING PLATE to LEVELING RING using (3) #8 x 5/8" SCREWS.
- Wire either a DUPLEX RECEPTACLE (not included) or a DECORATOR RECEPTACLE (not included) thru LEVELING RING and MOUNTING PLATE per all applicable National (NEC/CEC), State and Local Codes.
- Attach RECEPTACLE to LEVELING RING/MOUNTING PLATE ASSEMBLY with (2) screws provided with RECEPTACLE.
- Place either DUPLEX INSERT or DECORATOR INSERT atop matching RECEPTACLE.
- Attach COVER PLATE/LID ASSEMBLY to MOUNTING PLATE with (4) #6-32 x 1/2" SCREWS.
- Apply continuous layer of PVC CEMENT (not included) around LEVELING RING and insert completed assembly into FLOOR BOX (sold separate).

WARNING: Make sure power is OFF at main panel box before installing.

NOTE: All wiring must be according to NEC, State and Local codes.

The manufacturer warrants this product for material and workmanship only, and shall not be liable for any special, incidental, or consequential damages or for damages or loss caused by improper use or installation.