

# Arlington Industries, Inc.

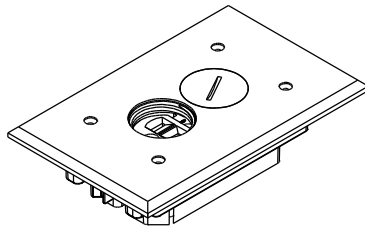
1 Stauffer Ind. Park - Scranton, Pa. 18517  
800-233-4717 Fax : 570-562-0646  
www.aifittings.com - E-MAIL : sales@aifittings.com  
Manufacturers of Quality Electrical Products

## Installation Instructions For : FLBC101 TK Rectangular Floor Box for Concrete

WTK	White
BLTK	Black
BRTK	Brown
LATK	Light Almond
MBTK	Brass
NLTK	Nickel

### Contents:

- (1) Set 1/8" Spacer
- (1) Set 1/4" Spacer
- (1) Set 1/2" Spacer
- (1) Set 3/4" Spacer
- (1) Mounting Bracket w/ Gasket
- (1) TR Receptacle
- (1) Back Plate
- (1) Cover Plate w/ Gasket
- (2) Threaded Plugs
- (5) #6-32 x 1/2" Long Screws
- (4) #8 x 5/8" Lg. Sheet Metal Screws
- (4) #8 x 1-1/4" Lg. Sheet Metal Screws



Assembled View of FLBC101 TK



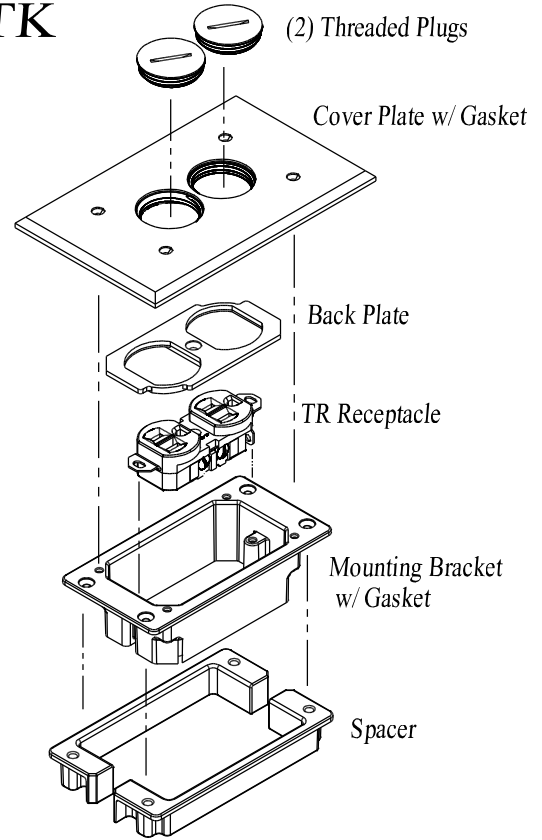
(5) #6-32 x 1/2" Long Screw



(4) #8 x 5/8" Long Sheet Metal Screw



(4) #8 x 1-1/4" Long Sheet Metal Screw  
(for use with spacers)



If you have any questions or if parts are missing from your FLBC101 TK, Please call our Customer Service Department at 1-800-233-4717.  
Do not call or return this product to your local store or distributor.

### Installation Instructions:

1. Verify that installed FLBC101 concrete box was properly trimmed to finished floor height.
2. Install Mounting Bracket using (4) #8 sheet metal screws thru the 4 outer holes of mounting bracket into holes in FLBC101 concrete box.
3. Wire TR Receptacle and install in box.
4. Install Back Plate using (1) #6-32 screw provided.
5. Install Cover with (4) #6-32 screws provided & install (2) Threaded Plugs.
6. 1/8", 1/4", 1/2" or 3/4" Spacers (provided) can be used for adjustment of Floor Box to accommodate future floor thickness. Sealant must be used on all joints for waterproof installation.

### Wire Receptacle per NEC, State and Local Codes.

The manufacturer warrants this product for material and workmanship only, and shall not be liable for any special incident or consequential damages or for damages or loss caused by improper use or installation.