



# Arlington Industries, Inc.

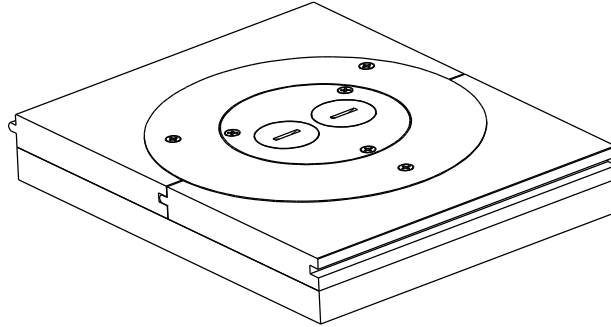
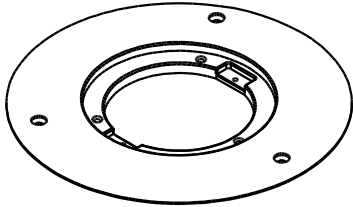
1 Stauffer Ind. Park - Scranton, Pa. 18517  
800-233-4717 Fax: 570-562-0646  
www.aifittings.com E-MAIL: sales@aifittings.com  
Manufacturers of Quality Electrical Products

## FLB3570 - OVERSIZE RING

FOR USE WITH ARLINGTON FLB3520 COVERPLATE TRIM KIT

### Contents:

- (1) FLB3570
- (3) #8-32 FLAT HEAD SCREWS
- (3) #8 x 1" LONG WOOD SCREWS



### Installation Instructions:

1. Make sure power is OFF at main panel box before installing.
2. Install FLB3570 to floor surface using (3) #8 wood screws. Suitable anchors (not provided) may be needed depending on flooring material.
3. Attach RECEPTACLE to FLB3570 with (2) screws provided with RECEPTACLE. Wire RECEPTACLE (not included) per all applicable National (NEC/CEC), State and Local Codes.
4. Install coverplate (Arlington FLB3520MBTK/FLB3520NLTK recommended) per manufacturer's instructions.

All wiring must be according to National (NEC/CEC), State and Local Codes.

If you have any questions or if parts are missing from your FLB3570, Please call our Customer Service Department at 1-800-233-4717. Do not call or return this product to your local store or distributor.

