



Arlington Industries, Inc.

1 Stauffer Ind. Park - Scranton, Pa. 18517
800-233-4717 Fax: 570-562-0646
www.aifittings.com - E-MAIL: sales@aifittings.com
Manufacturers of Quality Electrical Products

FLB3520 Floorbox Kit

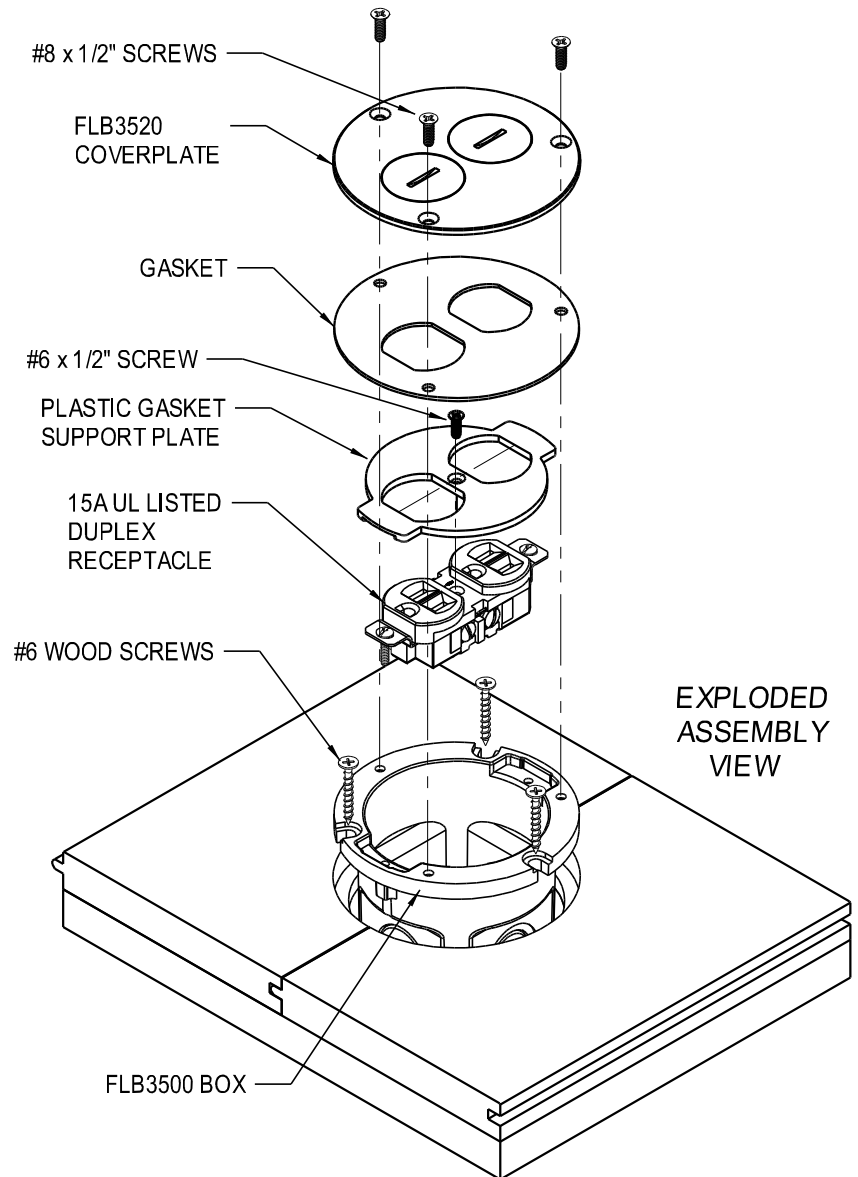
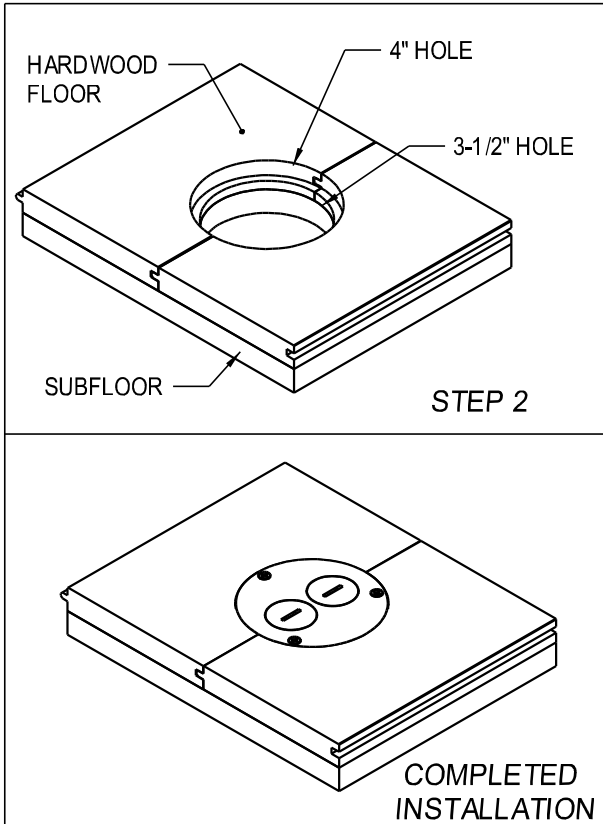


WARNING: Make sure power is OFF at main panel box before installing.

Contents:

- (1) FLB3500 Box
- (1) FLB3520 Cover Plate
- (1) Gasket
- (1) Gasket Support Plate
- (1) NM94 Cable Connector
- (1) NM95 Cable Connector
- (3) #8 x 1/2" Long Flat Head Screws
- (1) #6 X 1/2" Long Screw
- (3) #6 X 1-1/4" Long Wood Screws
- (1) UL Listed 15A Duplex Receptacle

Arlington Cat #
FLB3520MB (Brass)
FLB3520NL (Nickel)



If you have any questions or if parts are missing from your FLB3520 kit, Please call our Customer Service Department at 1-800-233-4717. Do not call or return this product to your local store or distributor.

Installation Instructions:

1. Determine location for the FLB3500 box, being careful to avoid structural framing members.
2. At desired location, using 4" diameter Hole Saw, cut hole to depth of approximately 1/2"
Then use a 3-1/2" hole saw to cut all the way thru the remaining flooring/subfloor.
3. Carefully remove any material that remains between 4" & 3-1/2" hole saw cuts to create a shelf at the desired depth for the FLB3500 box.
4. Pull non-metallic type cable and install in FLB3500 box using supplied NM94 or NM95 cable connector.
5. Attach box to floor using three #6 x 1-1/4" long wood screws through the U-shaped cut-outs in FLB3500 flange.
6. Wire receptacle and install in box. All wiring to be in accordance with State, Local, and National electrical codes.
7. Attach supplied gasket support plate to receptacle with #6 x 1/2 Long Screw, and install Gasket.
8. Attach coverplate to box using 3 #8 x 1/2" long flat head machine screws

All wiring must be in accordance with National (NEC/CEC), State and Local Electrical Codes.

The manufacturer warrants this product for material and workmanship only, and shall not be liable for any special, incidental, or consequential damages or for damages or loss caused by improper use or installation.