



Arlington Industries, Inc.

1 Stauffer Ind. Park - Scranton, Pa. 18517

800-233-4717 Fax: 570-562-0646

www.aifittings.com - E-MAIL: sales@aifittings.com

Manufacturers of Quality Electrical Products



c us

FBC42253 Lampholder Cover

Arlington Cat

FBC42253W (White)

FBC42253GY (Gray)

FBC42253BR (Brown)

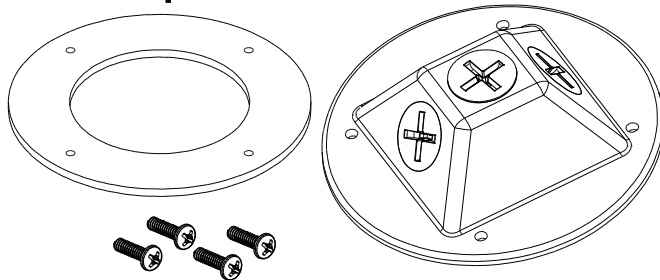
Contents:

(1) FBC42253 Lampholder Cover

(1) Gasket

(3) 1/2" NPT Plugs

(4) #6-32 x 3/4" Long Screws



Installation Instructions:

1. Make sure power is OFF at main panel box before installing.
2. Screw floodlight/fixture into FBC42253 Cover
3. Seal unused openings with plugs provided.
4. Connect wire leads from lampholder to power source as per fixture manufacturer's instructions.
5. Attach gasket to back of cover.
6. Install cover to box using (4) #6-32 screws
7. Position light fixture as desired.

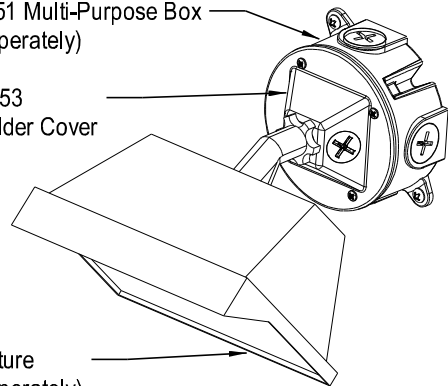
All wiring must be in accordance with National (NEC/CEC), State and Local Electrical Codes.

COMPLETED INSTALLATION

FBC42251 Multi-Purpose Box
(Sold Separately)

FBC42253
Lampholder Cover

Light Fixture
(Sold Separately)



WARNING: Make sure power is OFF at main panel before installing.

If you have any questions or if parts are missing from your FBC42253 kit, Please call our Customer Service Department at 1-800-233-4717. Do not call or return this product to your local store or distributor.