



**Arlington Industries, Inc.**

1 Stauffer Ind. Park - Scranton, Pa. 18517

800-233-4717 Fax: 570-562-0646

www.aifittings.com - E-MAIL: sales@aifittings.com

Manufacturers of Quality Electrical Products



# FBC42252 Blank Cover w/ 1/2" Knockout

**Arlington Cat #**

**FBC42252W (White)**

**FBC42252GY (Gray)**

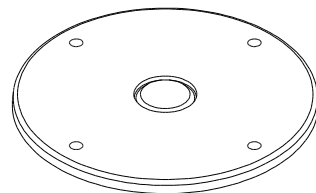
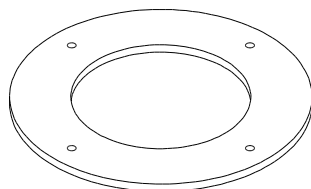
**FBC42252BR (Brown)**

**Contents:**

(1) FBC42252 Cover

(1) Gasket

(4) #6-32 x 3/4" Long Screws



## Installation Instructions:

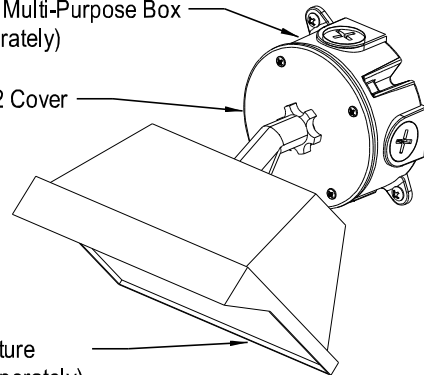
1. Make sure power is OFF at main panel box before installing.
2. If desired, remove knockout from cover to mount a light fixture.
3. Attach gasket to back of cover.
4. Connect wire leads from lampholder to power source as per fixture manufacturer's instructions.
5. Install cover to box using (4) #6-32 screws
6. Position light fixture as desired.

### COMPLETED INSTALLATION

FBC42251 Multi-Purpose Box  
(Sold Separately)

FBC42252 Cover

Light Fixture  
(Sold Separately)



**All wiring must be in accordance with National (NEC/CEC), State and Local Electrical Codes.**

**WARNING: Make sure power is OFF at main panel before installing.**

If you have any questions or if parts are missing from your FBC42252 kit, Please call our Customer Service Department at 1-800-233-4717. Do not call or return this product to your local store or distributor.