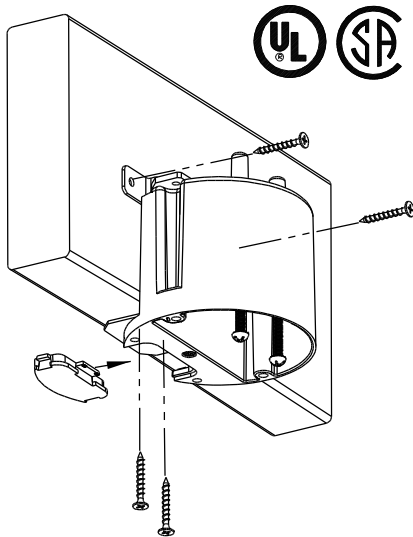


A FBA426 - ADJUSTABLE CEILING FAN/FIXTURE BOX

CAUTION: TURN OFF POWER AT
MAIN PANEL BOX

1. Install FBA426 to joist using the (4) #6 x 1-5/8" long screws provided. Install (2) screws thru metal front flange & (1) in each rear position
2. Slide insert into front of box.
3. Pull NM Cable and install in provided NM connector.
4. After wallboard installation is complete, adjust position of FBA426 box as necessary with adjustment screw
5. Install Fan/Fixture bracket using supplied #10-32 x 4" long screws.
6. Install Fan/Fixture according to Fan/Fixture Manufacturer's instructions.



All wiring to be in accordance with National, State & Local Electrical Codes

If you have any questions or if parts are missing from your FBA426 Adjustable Fixture Box, Please call our Customer Service Department at 1-800-233-4717. Do not call or return this product to your local store or distributor.