



Arlington Industries, Inc.

1 Stauffer Ind. Park - Scranton, Pa. 18517
800-233-4717 570-562-0646
www.aifittings.com - E-MAIL : sales @ aifittings.com
Manufacturers of Quality Electrical Products

Installation Instructions For : VERTICAL SPACER PLATE

PART NUMBERS:

DBVR131 / DBVR141 / DBVR151 / DBVR171

**WARNING: TURN OFF POWER AT
MAIN PANEL BOX**

VERTICAL SPACER PLATE
FOR 1/2" SIDING

2. Position #8 x 1½" Long Pan Head Screws (Provided)
thru Vertical Spacer Plate & Secure to Siding
(four places as shown)

3. Secure InBox™ to wall surface using supplied #8 x 2" Long
flat head screws w/ painted heads

CAULKING
SEALANT TAPE
(PROVIDED)

1. Starting at Bottom Corner,
Affix Caulking Sealant
Tape to contact surfaces
of Vertical Spacer Plate

Note: If you have any questions or if parts are missing, Please call our Customer Service Department at 1-800-233-4717. Do not call or return this product to your local store or distributor.



Arlington Industries, Inc.

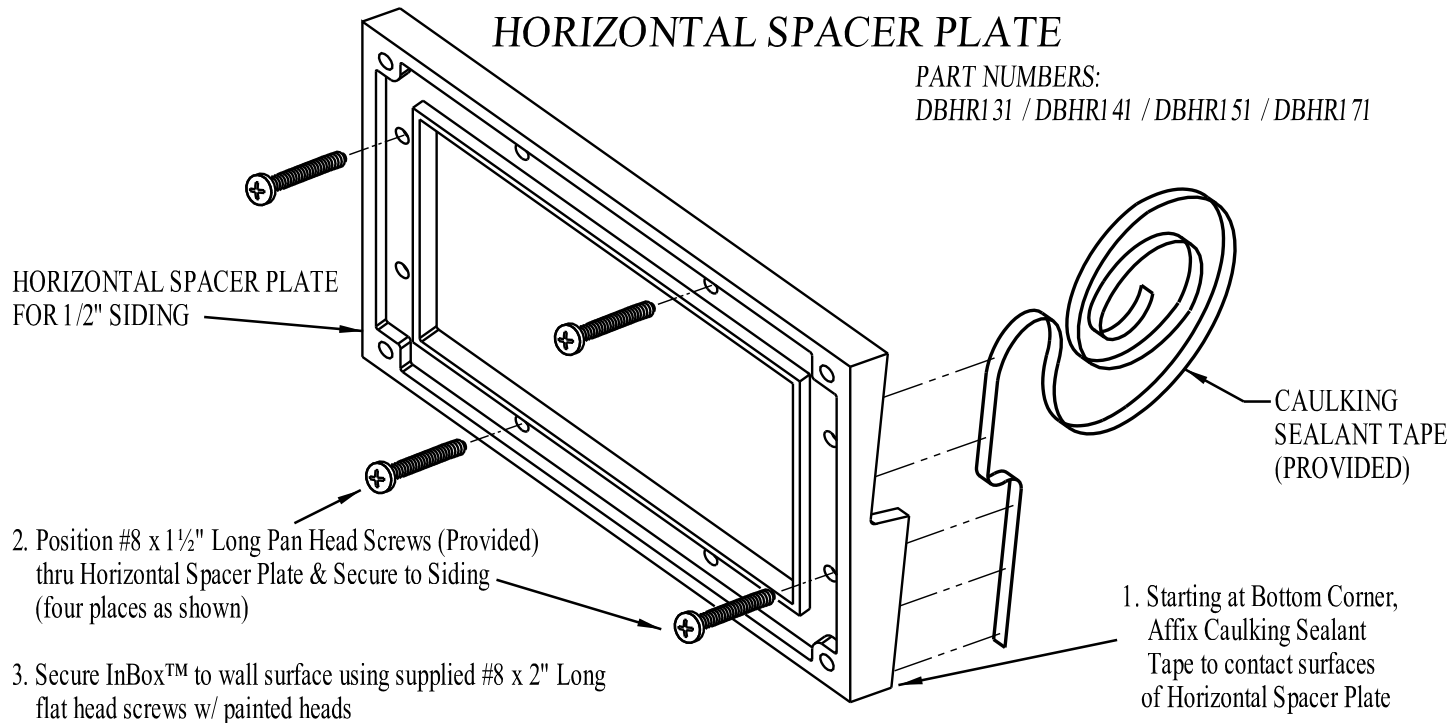
1 Stauffer Ind. Park - Scranton, Pa. 18517
800-233-4717 570-562-0646
www.aifittings.com - E-MAIL : sales @ aifittings.com
Manufacturers of Quality Electrical Products

**WARNING: TURN OFF POWER AT
MAIN PANEL BOX**

Installation Instructions For : HORIZONTAL SPACER PLATE

PART NUMBERS:

DBHR1 31 / DBHR1 41 / DBHR1 51 / DBHR1 71



Note: If you have any questions or if parts are missing, Please call our Customer Service Department at 1-800-233-4717. Do not call or return this product to your local store or distributor.