



Arlington Industries, Inc.

1 Stauffer Ind. Park - Scranton, Pa. 18517
800-233-4717 570-562-0646
www.aifittings.com - E-MAIL : sales @ aifittings.com
Manufacturers of Quality Electrical Products

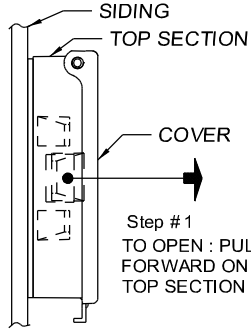


Arlington Industries, Inc.

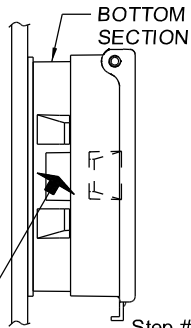
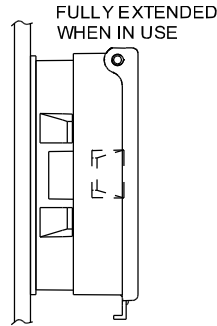
1 Stauffer Ind. Park - Scranton, Pa. 18517
800-233-4717 570-562-0646
www.aifittings.com - E-MAIL : sales @ aifittings.com
Manufacturers of Quality Electrical Products

WARNING: TURN OFF POWER AT MAIN PANEL BOX, IF INSTALLING

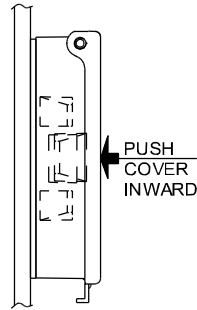
INSTRUCTIONS FOR : 60 & 61 SERIES COLLAPSIBLE COVERS



Step # 1
TO OPEN : PULL FORWARD ON TOP SECTION

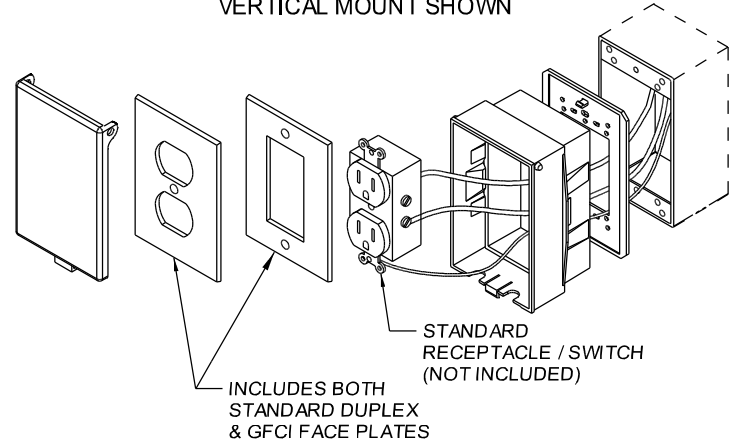


Step # 2
TO CLOSE : PUSH IN ON CENTERS OF BOTTOM SECTION ON BOTH SIDES WITH INDEX FINGERS WHILE APPLYING PRESSURE ON THE LID. COVER COLLAPSES TO UNUSED POSTION.



60 & 61 SERIES COLLAPSIBLE COVERS

VERTICAL MOUNT SHOWN



Note: Connect the Wires and Install the Device according to manufacture's instructions and Local and National Electrical Codes.

NOTE TO CONTRACTOR : PLEASE LEAVE THIS INSTRUCTION SHEET INSIDE BOX FOR CUSTOMER'S USE.



If you have any questions or if parts are missing, Please call our Customer Service Department at 1-800-233-4717. Do not call or return this product to your local store or distributor.

