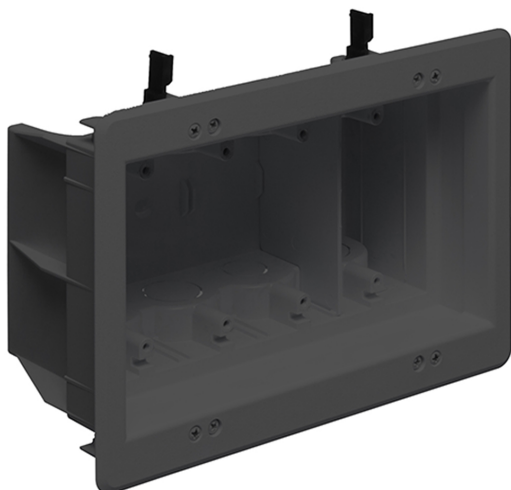


# DVFR4BL

Recessed Indoor IN BOX™ for New & Retrofit Construction



Recessed Indoor InBox™ for New & Retrofit Construction

Country of Origin: USA

Weight: 1.182 lbs/each

Height: 9.742"

Width: 6.818"

Trade Size: 4-Gang

## Packaging

Unit: 1 pc

Standard: 1 pc



**Arlington®**

1 Stauffer Industrial Park  
Scranton, PA 18517  
800/233.4717  
Fax 570/562.0646  
[www.aifittings.com](http://www.aifittings.com)