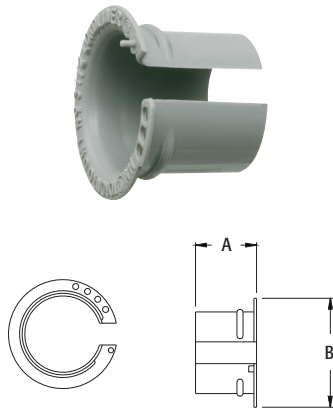


Adjustable Throat Liners

To be installed in fittings after conduit, fitting and wire are in place. Allows installation to meet local electrical code. Non-metallic.



CATALOG NUMBER	UPC/DCI/NAED MFG #018997	TRADE SIZE	UNIT PKG	STD PKG	DIM A	DIM B
4001	04001	1/2	25	100	.670	.900
4002	04002	3/4	25	100	.710	1.220
4003	04003	1	25	100	.880	1.450
4004	04004	1-1/4	10	40	1.015	1.735
4005	04005	1-1/2	10	40	1.015	2.050
4006	04006	2	10	40	1.250	2.312

