

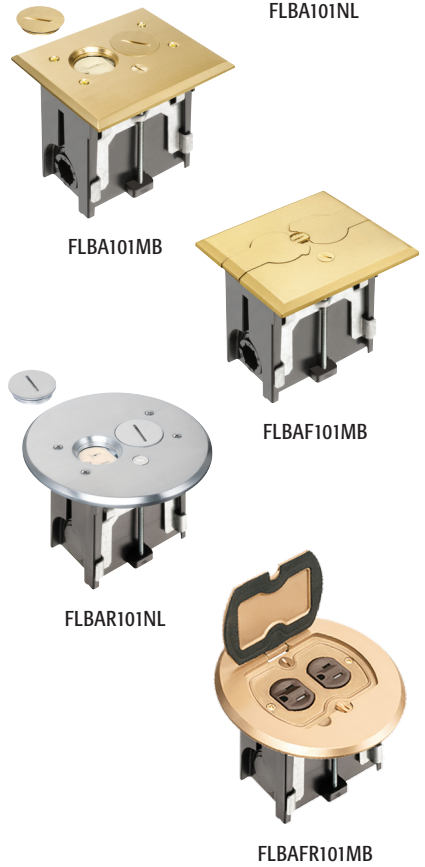
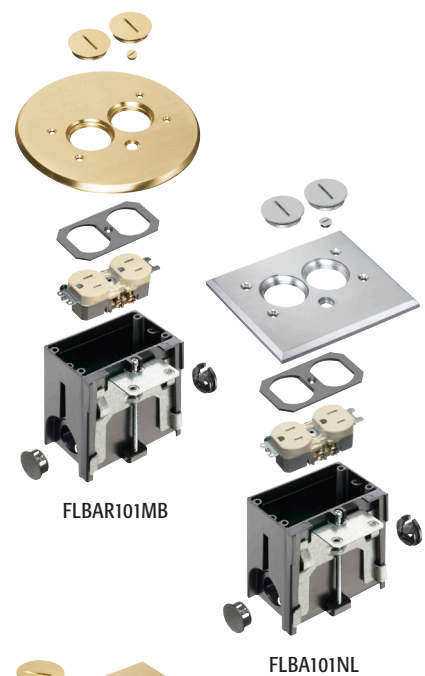
Non-Metallic Adjustable Floor Boxes with Metallic Covers

Competitively priced, clean, and neat adjustable floor boxes that fit most floor heights up to 2".

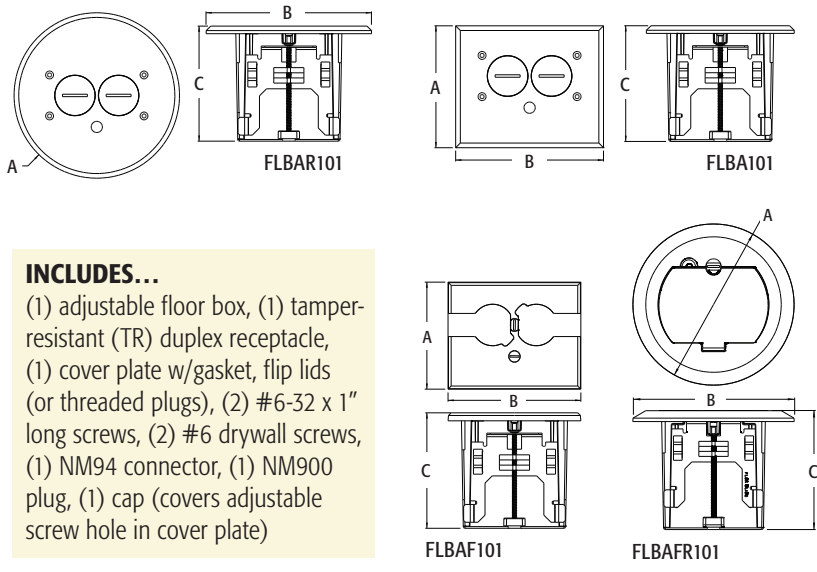
FEATURES AND BENEFITS

- Non-metallic boxes with gasketed metal covers in brass or nickel-plated
- Cover gasket prevents water intrusion
- Competitively priced
- Threaded plugs or flip lids protect receptacle when not in use

CATALOG NUMBER	UPC/DCI/NAED MFG #018997	DESCRIPTION RECTANGULAR COVER	UNIT PKG	STD PKG	DIM A	DIM B	DIM C
THREADED PLUGS							
FLBA101MB	52259	Brass	1	4	4.250	5.155	4.031
FLBA101NL	52450	Nickel-plated	1	4	4.250	5.155	4.031
2 FLIP LIDS							
FLBAF101MB	13805	Brass	1	4	4.000	4.646	4.047
FLBAF101NL	13806	Nickel-plated	1	4	4.000	4.646	4.047
ROUND COVER							
THREADED PLUGS							
FLBAR101MB	52261	Brass	1	4	5.800	5.800	4.031
FLBAR101NL	52451	Nickel-plated	1	4	5.800	5.800	4.031
SINGLE FLIP LID							
FLBAFR101MB	00749	Brass	1	4	5.792	5.792	4.272
FLBAFR101NL	00750	Nickel-plated	1	4	5.792	5.792	4.272



PATENTED.



INCLUDES...
 (1) adjustable floor box, (1) tamper-resistant (TR) duplex receptacle, (1) cover plate w/gasket, flip lids (or threaded plugs), (2) #6-32 x 1" long screws, (2) #6 drywall screws, (1) NM94 connector, (1) NM900 plug, (1) cap (covers adjustable screw hole in cover plate)

INSTALLATION SHOTS



Scan For Video

