

## Flush to Floor Round Cut In Floor Box Kits with Flip Lids

3.5" round UL Listed non-metallic floor box for existing wood or concrete floor.\*

CATALOG NUMBER	UPC/DCI/NAED MFG #018997	DESCRIPTION ROUND CUT IN BOX KIT	UNIT PKG	STD PKG	DIM A	DIM B	DIM C	DIM D
<b>SINGLE FLIP LID</b>								
FLB3531MB	00745	Brass cover	1	1	6.250	3.303	.261	--
FLB3531NL	00746	Nickel plated brass cover	1	1	6.250	3.303	.261	--
<b>2 FLIP LIDS</b>								
FLB3532MB	48017	Brass cover	1	1	3.995	3.169	2.500	.169
FLB3532NL	48019	Nickel plated brass cover	1	1	3.995	3.169	2.500	.169
<b>CARPET RINGS</b>								
FLB3530MB	16900	Brass	1	1	5.137	3.110	4.291	.500
FLB3530NL	16901	Nickel plated brass	1	1	5.137	3.110	4.291	.500
<b>TRIM KITS</b>								
<b>SINGLE FLIP LID</b>								
FLB3531MBTK	00747	Brass	1	1	6.250	3.303	.261	--
FLB3531NLTK	00748	Nickel plated brass	1	1	6.250	3.303	.261	--
<b>2 FLIP LIDS</b>								
FLB3532MBTK	48018	Brass	1	1	6.250	3.303	.261	--
FLB3532NLTK	48020	Nickel plated brass	1	1	6.250	3.303	.261	--

 **PATENTS PENDING.**

\*Electrical conduit must be accessible from underneath floor if installing in concrete. (See installation instructions on page P-18)

### FEATURES AND BENEFITS

- Hides miscut flooring, cover edges of cut carpet, and get a neater finish with an oversized ring or carpet ring to match your cover
- Easy to install in existing wood or concrete floor

### INSTALLATION WITH CARPET RING



### CUT IN BOX KITS INCLUDE

Non-metallic box, round 4" diameter metal cover with flip lid(s), non-metallic gasket support plate, gasket, UL Listed 15 amp TR duplex receptacle, NM94 and NM95 cable connectors, (3) #8 x 1/2" flat head screws and (1) #6 x 1/2" screw.

### COVER TRIM KITS INCLUDE

Round 4" diameter metal cover with flip lid(s), gaskets, UL Listed 15 amp TR receptacle.



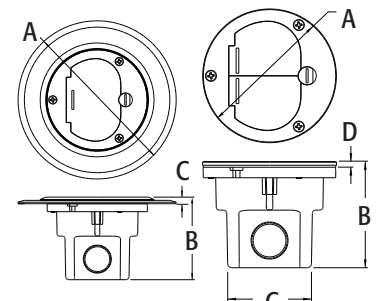
FLB3531MB

FLB3532NL



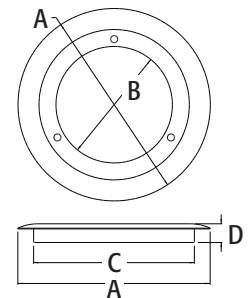
FLB3531NLTK

FLB3532MBTK



FLB3531

FLB3532



FLB3530