

PVC Entrance Caps

MAST PARTS



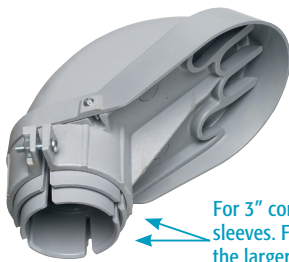
PVC1020



PVC1040



PVC105, PVC106, & PVC129



PVC109

For 3" conduit use both sleeves. For 3-1/2" conduit use the larger adapter sleeve.

Scan For Video



For Rigid • IMC • EMT • Rigid PVC • Sizes 1/2 - 4" include adapter sleeve for EMT.

FEATURES AND BENEFITS

- PVC1020 priced as 1/2" trade size
- PVC1040 priced as 1-1/4" trade size
- PVC109 priced as 3" trade size

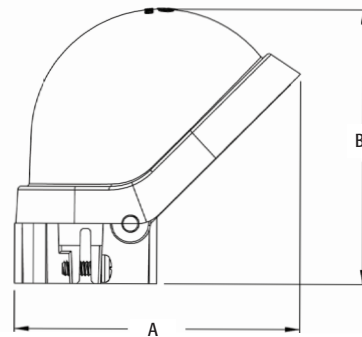
CATALOG NUMBER	UPC/DCI/NAED MFG #018997	TRADE SIZE	MAST SIZE	STD PKG	DIM A	DIM A	HOLE SIZES
PVC1020*	73146	1/2, 3/4, 1	1/2, 3/4, 1	20	3.575	3.438	(2) 0.673
PVC1040*	73147	1-1/4, 1-1/2	1-1/4, 1-1/2	10	5.900	5.069	(2) .823, (1) .635
PVC105	73105	2	2	5	7.790	6.660	(2) .750, (1) .562
PVC129	73129	2	2-1/2	1	7.750	6.660	(2) .750, (1) .562
PVC106	12512	2-1/2	2-1/2	1	9.790	7.620	(4) .875
PVC109*	12513	3, 3-1/2, 4	3, 3-1/2, 4	1	12.650	9.070	(2) 1.500, (1) 1.250

*Includes adapters for multiple sizes.

*PATENTED.



REDUCES INVENTORY SAVES MONEY!
Products cover 10 trade sizes!



INSTALLATION SHOTS



PVC1040



PVC1020