

**SNAP<sup>2</sup>IT<sup>®</sup> Connectors with Locknut**

Zinc die-cast. All with insulated throat. For AC • MCI-A • HCF steel and aluminum cable • Flexible metal conduit steel and aluminum (regular and reduced wall) • MCI cable • Continuous corrugated aluminum • AC90

SNAP-TITE<sup>®</sup> and SNAP2IT<sup>®</sup> products have been tested and listed by UL in accordance with UL's ground fault requirements. For additional information see page 8.

**NO TOOLS!**

- Safe and fast installations
- Saves about 12 seconds per fitting!
- Competitively priced

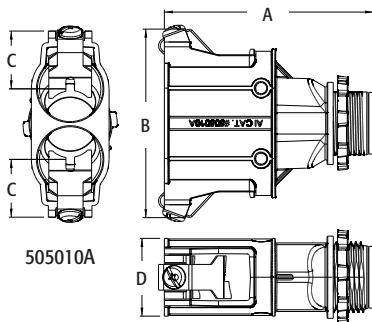


38A



4040A

CATALOG NUMBER	UPC/DCI/NAED MFG #018997	TRADE SIZE	KO SIZE	UNIT PKG	STD PKG	DIM A	DIM B	DIM C	DIM D	CABLE RANGE
38A	00038	3/8	1/2	50	500	1.410	.850	.405	1.000	.405 - .612
3838A	36200	3/8	1/2	25	100	1.772	1.605	.840	.620	(2) .405 - .612
40A	48015	3/8	1/2	50	500	1.280	.850	.400	1.000	.485 - .612
4010A	11420	3/8	1/2	50	500	1.505	.839	.410	1.117	.405 - .612
4040A	40350	3/8	1/2	25	100	1.772	1.605	.840	.620	(2) .485 - .612
5010A*	01299	1/2	1/2	25	250	2.190	1.409	.5625	1.135	.560 - .850
505010A*	76214	1/2	3/4	25	25	3.055	2.752	.844	1.135	(2) .650 - .850



\*Also for MC-PCS Cable. Refer to chart on page E-27 for list of cable types. See page E-30 and E-31 for MCI-A cable ranges.

**PATENTED.**

