

SNAP-TITE® Connectors for 1/2" Flex

Zinc die-cast. Spring steel SNAP-TITE clip. For use in new or old electrical boxes. Accommodates 1/2" reduced wall flexible metal conduit (RWFMC).

FEATURES AND BENEFITS

- Super-secure installation—No pullout!
- Fully assembled one-piece design with insulated throat, with or without ground lug

CATALOG NUMBER	UPC/DCI/NAED MFG #018997	DESCRIPTION	TRADE SIZE	KO SIZE	UNIT PKG	STD PKG	DIM A	DIM B	DIM C	DIM D
GF5075RAST	22092	Insulated throat (NO ground lug)	1/2	3/4	25	25	1.513	.635	1.062	1.200
GF5075RASTG	22094	Insulated throat WITH ground lug	1/2	3/4	25	25	1.925	.635	1.062	1.200

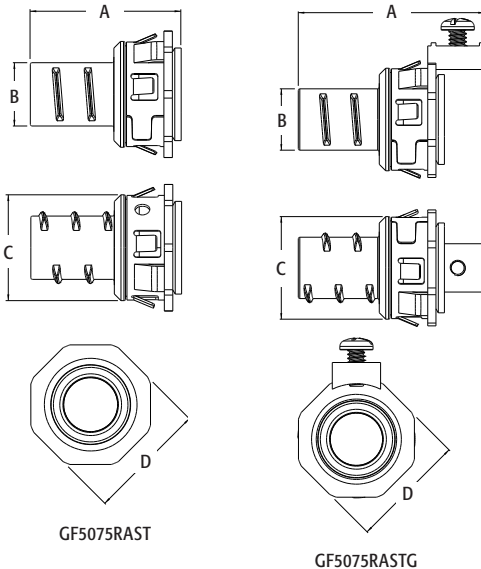


GF5075RAST



GF5075RASTG

PATENT PENDING.



GF5075RAST

GF5075RASTG

INSTALLATION SHOTS



1 Pull flex conduit through 3/4" knockout in installed box.

2 Screw connector into conduit. Snap assembly into box.

Quick and Easy Installation.
No Tools Required!